

CONNECTOR, 7-Blade Kit

INSTALLATION INSTRUCTIONS

⚠ WARNING: The attachment and installation of this product is beyond the control of Winston Products, LLC. Winston Products, LLC is not responsible for the attachment or the installation of this product. Winston Products, LLC is not liable for damages and/or injuries that are the result of improper use/attachment or are the result of use beyond the intended towing application. The liability of this product is limited to the purchase price if it proves to be defective in material and/or workmanship. Any and all warranties, explicit or implied, are void if the product is damaged or worn.

WIRE IDENTIFICATION:

GND = Ground, White
 TM = Taillight, Brown
 LT = Left Turn/Brake, Yellow
 RT = Right Turn/Brake, Green
 AUX = Auxiliary, Black
 EB = Electric Brakes, Blue
 BU = Reverse, Purple

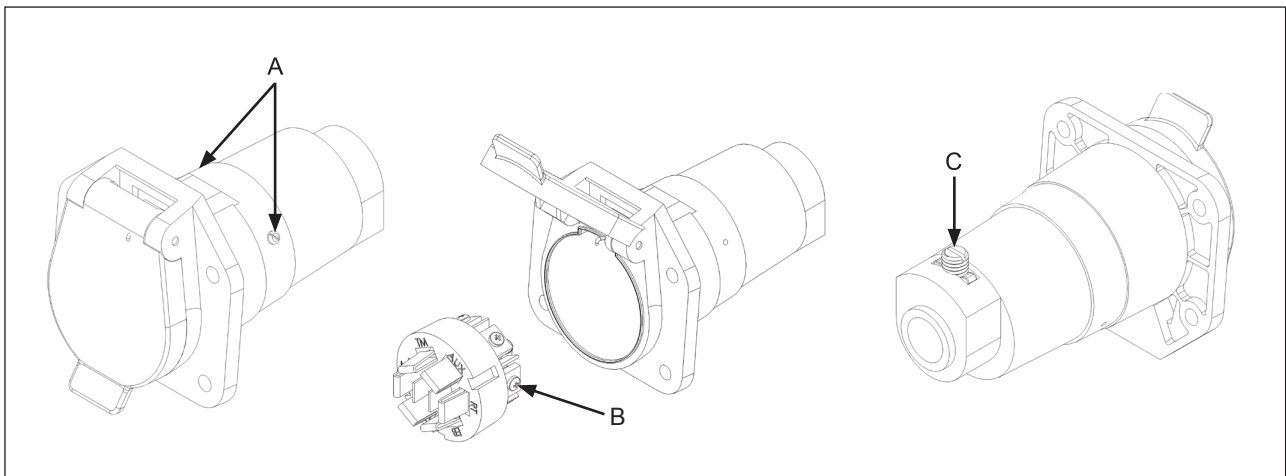
1. Install mounting bracket in desired location on vehicle.
2. Loosen set screws (A) and remove the terminal assembly (B) from the housing.
3. Strip wires 1/4" and route wires through the housing.
4. Secure wires to the terminal assembly using the wire identification chart.
5. Align the terminal assembly keyway with the housing keyway and insert it back into the housing.
6. Tighten the set screw.
7. Tighten the strain relief screw (C).
8. Test all functions.

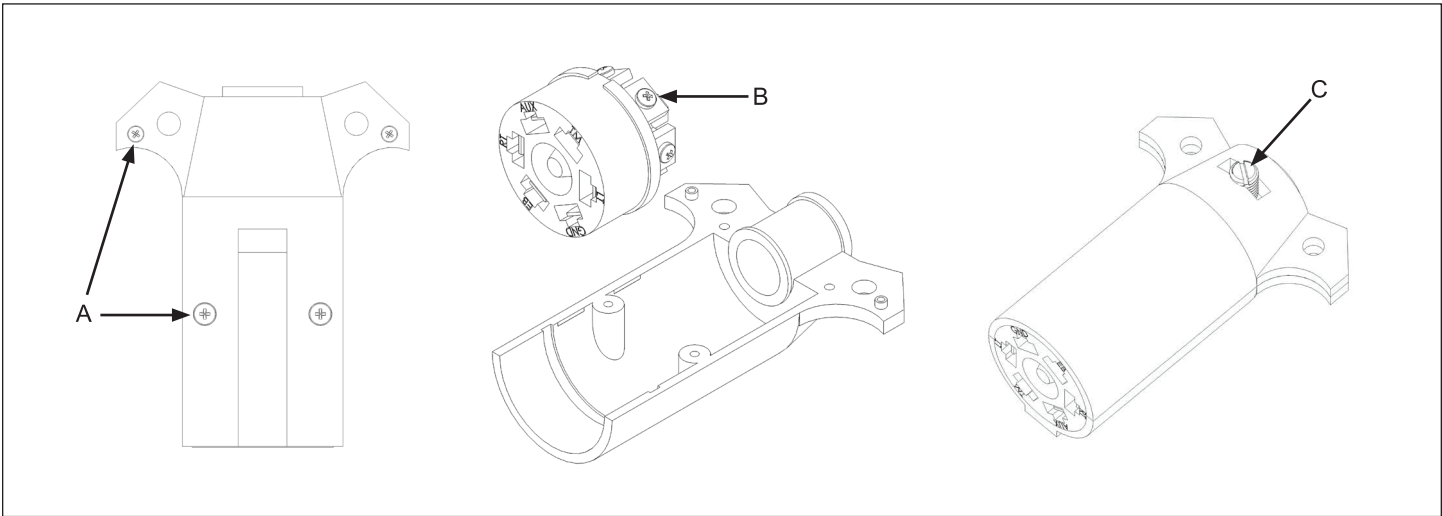
NOTE:

Locate wires and pin location by function only. Color coding is not standard among manufacturers.

CAUTION:

Connect the Auxiliary Power wire to fuse block or fused battery lead. 20 Amp





IF YOU EXPERIENCE ANY PROBLEMS WITH YOUR TOWSMART PRODUCT DO NOT RETURN THE UNIT TO THE RETAILER FROM WHICH IT WAS PURCHASED. INSTEAD, PLEASE CALL 1-844-295-9215 FOR ASSISTANCE WITH ANY PROBLEMS. WARRANTY INFORMATION IS AVAILABLE UPON REQUEST AND CAN BE FOUND ONLINE AT WWW.TOWSMART.COM.



A Winston Products Company
TOWSMART.COM
WINSTON PRODUCTS, LLC.
30339 Diamond Parkway
Cleveland, OH 44139