

CONNECTOR, 4-Round Round Set

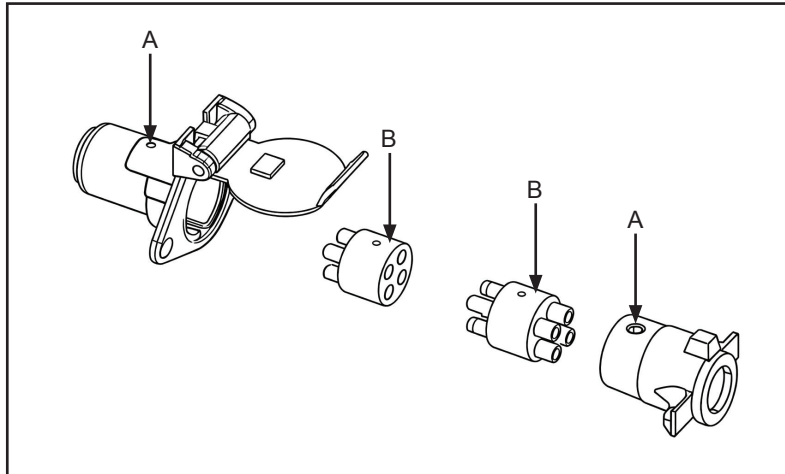
INSTALLATION INSTRUCTIONS

⚠ WARNING: The attachment and installation of this product is beyond the control of Winston Products, LLC. Winston Products, LLC is not responsible for the attachment or the installation of this product. Winston Products, LLC is not liable for damages and/or injuries that are the result of improper use/attachment or are the result of use beyond the intended towing application. The liability of this product is limited to the purchase price if it proves to be defective in material and/or workmanship. Any and all warranties, explicit or implied, are void if the product is damaged or worn.

1. Loosen set screws (A) and remove the terminal assemblies (B) from each housing. Strip wires $\frac{1}{4}$ " and route wires through the housings.
2. Secure wires to the terminal assemblies matching the wires between the two connectors.
3. Align the terminal assembly keyways with the housing keyway and insert each assembly back into the housing.
4. Tighten the set screws (A).
5. Leave 18" of slack between the tow vehicle and trailer to allow trailer to turn.
Remove excess wire and attach to existing functions on vehicle and trailer.
6. Plug the completed trailer connector into the tow vehicle connector and test all functions.

NOTE:

Locate wires and pin location by function only. Color coding is not standard among manufacturers.



IF YOU EXPERIENCE ANY PROBLEMS WITH YOUR TOWSMART PRODUCT DO NOT RETURN THE UNIT TO THE RETAILER FROM WHICH IT WAS PURCHASED. INSTEAD, PLEASE CALL 1-844-295-9215 FOR ASSISTANCE WITH ANY PROBLEMS. WARRANTY INFORMATION IS AVAILABLE UPON REQUEST AND CAN BE FOUND ONLINE AT WWW.TOWSMART.COM.