

CONNECTOR, 7-Blade Vehicle End Pro Class

INSTALLATION INSTRUCTIONS

⚠ WARNING: The attachment and installation of this product is beyond the control of Winston Products, LLC. Winston Products, LLC is not responsible for the attachment or the installation of this product. Winston Products, LLC is not liable for damages and/or injuries that are the result of improper use/attachment or are the result of use beyond the intended towing application. The liability of this product is limited to the purchase price if it proves to be defective in material and/or workmanship. Any and all warranties, explicit or implied, are void if the product is damaged or worn.

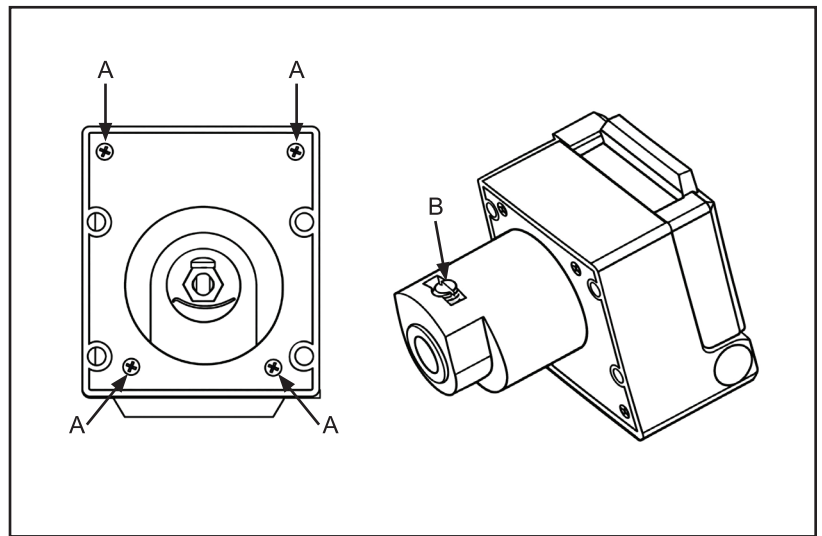
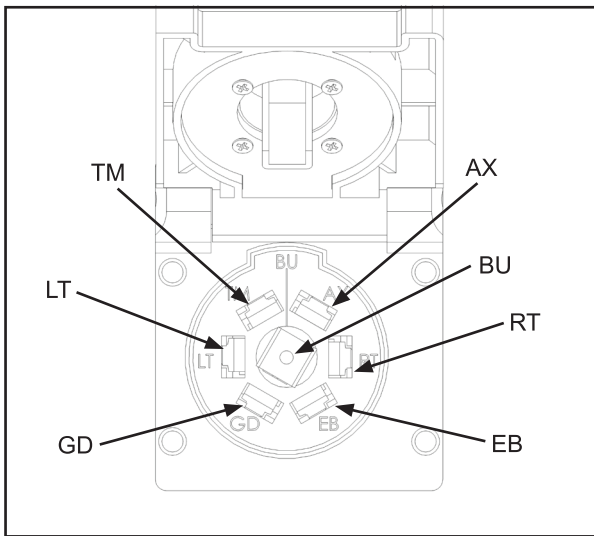
WIRE IDENTIFICATION:

- GD = Ground
- TM = Taillight
- LT = Left Turn/Brake
- RT = Right Turn/Brake
- AX = Auxiliary (Ensure connection to fuse block or fused battery lead, 20 Amp)
- EB = Electric Brakes
- BU = Reverse

1. Loosen set screws (A) and remove terminal cover. Strip wires ¼" and route wires through the terminal cover.
2. Secure wires to the terminal assembly using the wire identification chart.
3. Apply dielectric grease to terminals on both front and back of connector to prevent corrosion.
4. Fasten terminal cover to the connector main body.
5. Tighten the rear strain relief screw (B) that is attached to the terminal cover.
This will assist in preventing wires from being pulled out of the terminals.
6. Test all functions with vehicle running.

NOTE:

Locate wires and pin location by function only. Color coding is not standard among manufacturers.



IF YOU EXPERIENCE ANY PROBLEMS WITH YOUR TOWSMART PRODUCT DO NOT RETURN THE UNIT TO THE RETAILER FROM WHICH IT WAS PURCHASED. INSTEAD, PLEASE CALL 1-844-295-9215 FOR ASSISTANCE WITH ANY PROBLEMS. WARRANTY INFORMATION IS AVAILABLE UPON REQUEST AND CAN BE FOUND ONLINE AT WWW.TOWSMART.COM.



A Winston Products Company
 TOWSMART.COM
 WINSTON PRODUCTS, LLC.
 30339 Diamond Parkway
 Cleveland, OH 44139