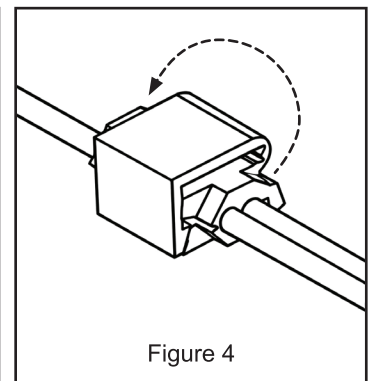
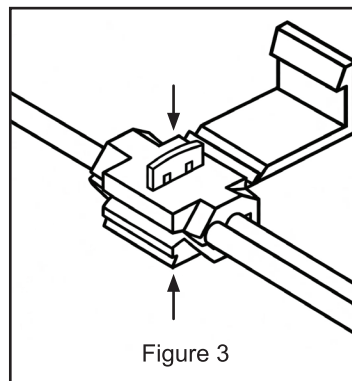
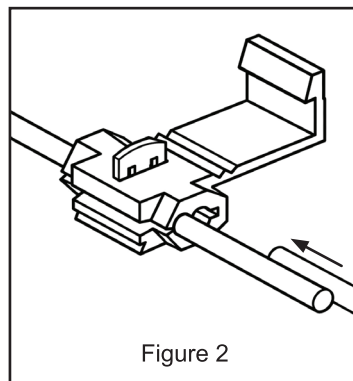
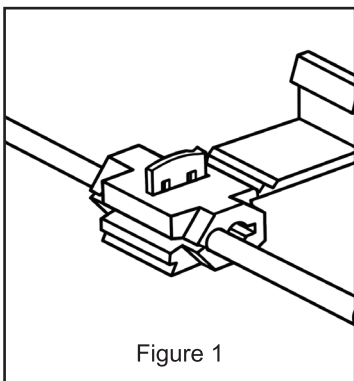


## WIRE SPLICES

### INSTALLATION INSTRUCTIONS

**⚠ WARNING:** The attachment and installation of this product is beyond the control of Winston Products, LLC. Winston Products, LLC is not responsible for the attachment or the installation of this product. Winston Products, LLC is not liable for damages and/or injuries that are the result of improper use/ attachment or are the result of use beyond the intended towing application. The liability of this product is limited to the purchase price if it proves to be defective in material and/or workmanship. Any and all warranties, explicit or implied, are void if the product is damaged or worn.

1. Insert main wire into the splice connector hold (Figure 1).
2. Insert the branch wire into the inside groove (Figure 2).
3. Press down on the metal splice tightly with pliers (Figure 3).
4. Pull the wire to ensure connection is firm, then fold over the connector cover (Figure 4).



IF YOU EXPERIENCE ANY PROBLEMS WITH YOUR TOWSMART PRODUCT DO NOT RETURN THE UNIT TO THE RETAILER FROM WHICH IT WAS PURCHASED. INSTEAD, PLEASE CALL 1-844-295-9215 FOR ASSISTANCE WITH ANY PROBLEMS. WARRANTY INFORMATION IS AVAILABLE UPON REQUEST AND CAN BE FOUND ONLINE AT [WWW.TOWSMART.COM](http://WWW.TOWSMART.COM).