

CONNECTOR, 3 ft Vehicle End Jacketed Cable

INSTALLATION INSTRUCTIONS

⚠ WARNING: The attachment and installation of this product is beyond the control of Winston Products, LLC. Winston Products, LLC is not responsible for the attachment or the installation of this product. Winston Products, LLC is not liable for damages and/or injuries that are the result of improper use/attachment or are the result of use beyond the intended towing application. The liability of this product is limited to the purchase price if it proves to be defective in material and/or workmanship. Any and all warranties, explicit or implied, are void if the product is damaged or worn.

WIRE IDENTIFICATION:

GD = Ground, White

TM = Taillight, Brown

LT = Left Turn/Brake, Yellow

RT = Right Turn/Brake, Green

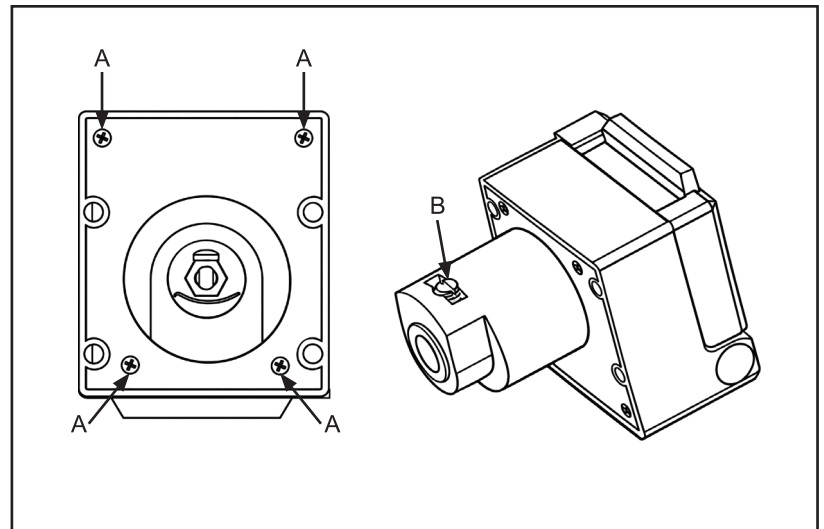
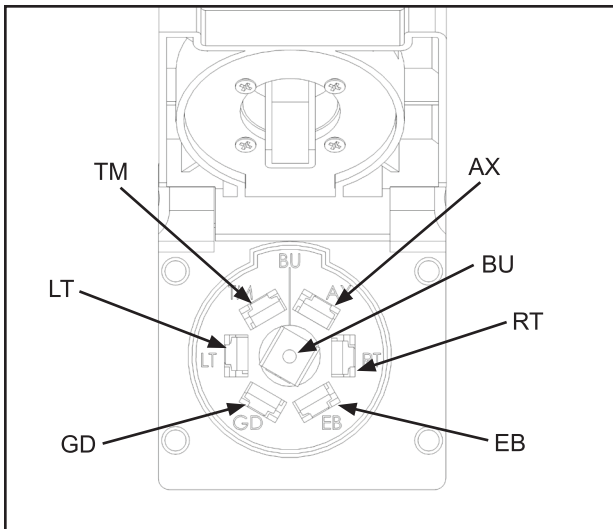
AX = Auxiliary, Red or Black (Ensure connection to fuse block or fused battery lead, 20 Amp)

EB = Electric Brakes, Blue

BU = Reverse, Purple

NOTE:

Locate wires and pin location by function only. Color coding is not standard among manufacturers.



IF YOU EXPERIENCE ANY PROBLEMS WITH YOUR TOWSMART PRODUCT DO NOT RETURN THE UNIT TO THE RETAILER FROM WHICH IT WAS PURCHASED. INSTEAD, PLEASE CALL 1-844-295-9215 FOR ASSISTANCE WITH ANY PROBLEMS. WARRANTY INFORMATION IS AVAILABLE UPON REQUEST AND CAN BE FOUND ONLINE AT WWW.TOWSMART.COM.