



HITCH, 2" Receiver, Hyundai Tucson, Kia Sportage INSTALLATION INSTRUCTIONS

READ ALL WARNINGS AND INSTRUCTIONS THOROUGHLY BEFORE INSTALLATION

⚠ WARNING: The manufacturer of your vehicle may specify towing capacities lower than the capacities noted below. Never exceed the vehicle manufacturer's recommended towing capacity. Consult your vehicle's owner's manual for the manufacturer's recommended towing capacity for your specific vehicle.

⚠ WARNING: Failure to adhere to the exact torque specifications noted in these installation instructions can result in property damage and/or bodily injury. Failure to follow all specifications and instructions will void the hitch warranty.

NOTICE:

Always use proper tools and safety equipment to ensure a safe and quality installation. Inspection of the trailer hitch should be performed before and after each use to ensure all mounting hardware is tight and related hitch components are secure.

LEVEL OF DIFFICULTY: Easy

Installation difficulty levels are based on the time and effort required. They will vary depending on the installer's expertise. Vehicle condition could be a factor in the level of difficulty for a proper installation.

WEIGHT CARRYING CAPACITY	
Gross Trailer Weight (GTWR)	4,500 LBS
Tongue Weight (TW)	675 LBS

WEIGHT DISTRIBUTING CAPACITY
THIS HITCH IS NOT RATED FOR USE AS A WEIGHT DISTRIBUTING HITCH.

TOOLS REQUIRED			
SAFETY GLASSES	RATCHET	6" EXTENSION	14mm SOCKET
17mm SOCKET	TORQUE WRENCH	STANDARD SCREWDRIVER	TUBE WIRE BRUSH

INSTALLATION:

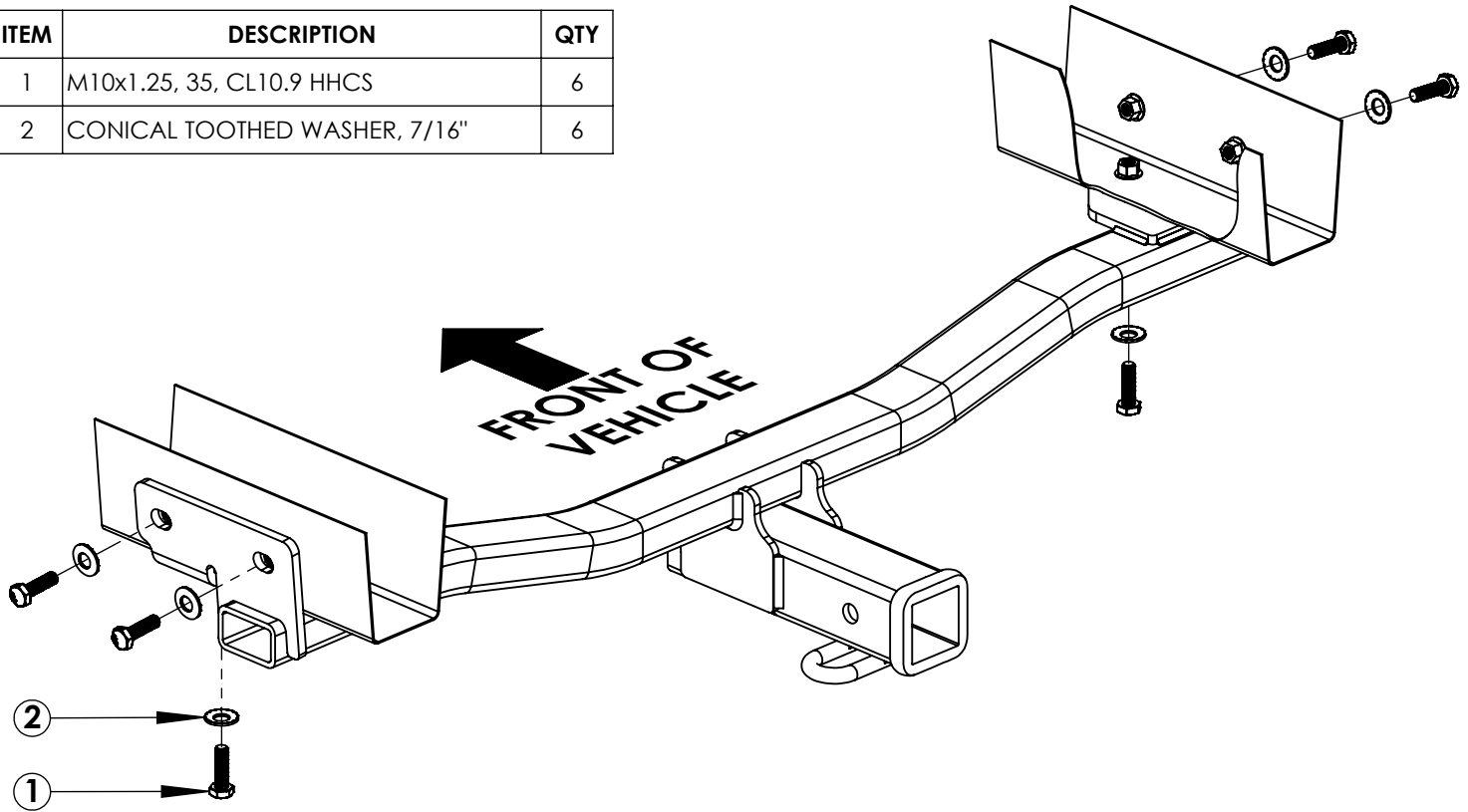
1. Remove the rear underbody panel by removing the four plastic push fasteners securing it to the rear fascia using a standard screwdriver or plastic trim tool and also removing the three plastic hex nuts along the front of the panel with a 14mm socket and 6" extension. Neither the fasteners nor the underbody panel will be reinstalled; they can be given to the vehicle owner if appropriate.
2. Remove the side underbody panel behind the passenger side rear wheel by removing the two plastic push fasteners and two plastic hex nuts in the same manner in which the rear underbody panel was removed. Set underbody panel and fasteners aside for reinstallation.
3. Locate the three hitch mounting holes, with factory weld nuts, on each frame rail - two on the outside faces of the frame rails and one on the underside of each frame rail. Clean each weld nut with a lubricant and/or tube wire brush to remove dirt, rust and debris. For best results, chase the treads of the weld nuts with a M10x1.25 tap after cleaning.
4. If present, remove the rear-most rubber plug on the underside of each from rail. The plugs will not be reinstalled.
5. Lift hitch into position over the exhaust tip(s) and secure with six M10x1.25 hex head screws (**ITEM 1**) and six conical toothed washers (**ITEM 2**), making sure that the teeth of the washers are mated to the hitch's mounting flanges.

continued from previous page

6. Torque all M10 fasteners to 48 ft-lb with a properly calibrated torque wrench and a 17mm socket.

7. Reinstall the side underbody panel behind the passenger side rear wheel.

ITEM	DESCRIPTION	QTY
1	M10x1.25, 35, CL10.9 HHCS	6
2	CONICAL TOOTHED WASHER, 7/16"	6



THIS SPACE INTENTIONALLY LEFT BLANK

